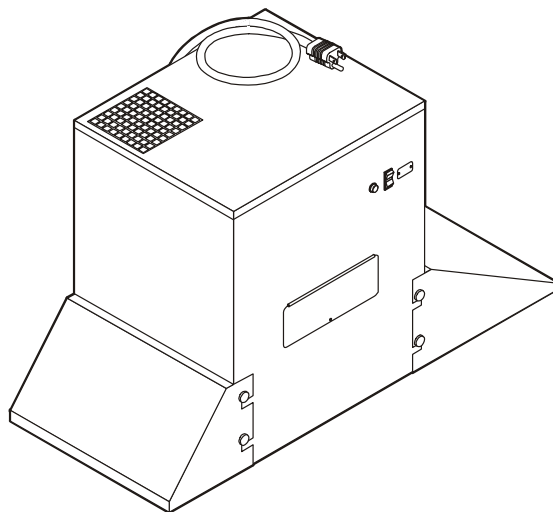




WELLS MANUFACTURING COMPANY  
2 ERIK CIRCLE, P. O. Box 280  
Verdi, NV 89439  
telephone: 775-689-5700  
fax: 888-492-2783  
[www.wellsbloomfield.com](http://www.wellsbloomfield.com)

**531Q**



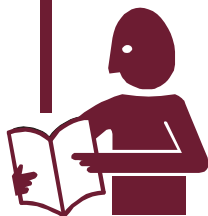
**SUPPLEMENTAL INSTALLATION INSTRUCTIONS**

## **MODEL WWSW VENTLESS HOOD**

for

**HOLMAN MM14 and QT14 CONVEYOR SANDWICH WARMER**

**Quizno's**  **subs**



**THIS MANUAL MUST BE READ AND UNDERSTOOD BY ALL PERSONS INSTALLING THIS APPLIANCE.** Refer to *Owners Manual for WWSW* (p/n305812) for information concerning operation, use and care, and maintenance of this equipment.

## INSTALLATION

**NOTE:** DO NOT discard the carton or other packing materials until you have inspected the hood for hidden damage and tested it for proper operation. Refer to *SHIPPING DAMAGE CLAIM PROCEDURE* on the inside front cover of the owners manual.



**CAUTION!**  
RISK OF  
PERSONAL INJURY  
AND PROPERTY  
DAMAGE

Unplug conveyor warmer and allow to cool before beginning installation.

## UNPACKING & INSPECTION

This instruction supplements the installation instructions in Owners Manual for WVSW (p/n305812) Carefully read all instructions in the owners manual and this instruction before starting any installation.

Carefully remove the accessories from the carton.

Remove all protective plastic film and packing materials from the hood accessories performing any installation procedure.

Carefully account for all components and accessories before discarding packing materials.

### COMPONENTS IN THIS KIT:

ADAPTER TOP FOR HOLMAN QT14 WARMER  
ENTRY CANOPY  
EXIT CANOPY

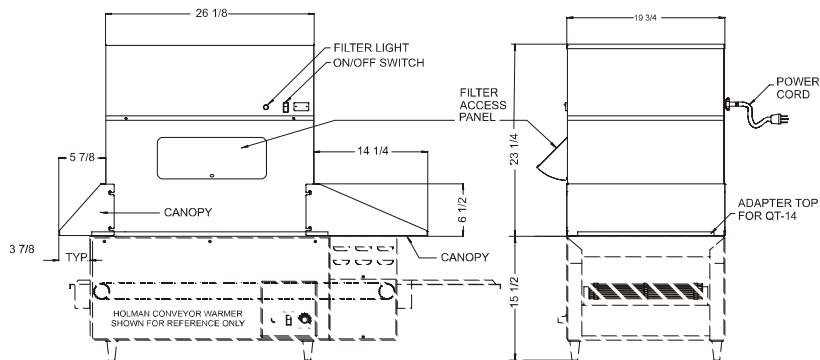
### COMPONENTS SHIPPED WITH HOOD:

HIGH EFFICIENCY FILTER  
CHARCOAL FILTER

## SETUP

The Holman QT14 Sandwich Warmer requires an adapter top for mounting the hood. Place adapter top on oven before setting hood in place. The Holman MM14 Sandwich Warmer does not require an adapter top.

Orient hood so that power switch is on the same side as the power switch of the warmer. Center hood over the body of the warmer as shown in *Fig. 2* below:



*Fig. 2 Hood installation on warmer*

Check high efficiency filter and charcoal filter for proper installation. Charcoal filter slides into clips on the high efficiency filter. Airflow marks must point "up".

Attach entry and exit canopies to pins on sides of hood. Canopies are interchangeable and may be mounted at either end, depending on the direction of product flow. The short canopy is the ENTRY canopy, and the long canopy is the EXIT canopy.

Maintain required clearances of at least 6" between the appliance and adjacent combustible surfaces.

## PARTS & SERVICE

DESCRIPTION	PART NO.	LIST PRICE*
HIGH EFFICIENCY FILTER 16 x 20x 4	22862	\$ 285.00
CHARCOAL (CARBON) FILTER 14 x 20 x 7/8	22403	\$ 114.00

\* list prices are effective Jan. 1, 2003 and are subject to change without notice.

For factory authorized replacement filters, contact:

**Johnson Diversified Products**  
1408 Northland Drive Suite #407  
Mendota Heights, MN 55120  
(800) 676-8488  
e-mail [info@jdpinc.com](mailto:info@jdpinc.com)  
website: [jdpinc.com](http://jdpinc.com)

**Note:** A label is provided to attach to the hood with replacement filter ordering information.

**IMPORTANT:**  
**Use only factory  
authorized service parts  
and replacement filters.**

Wells Service Parts  
Department can supply  
you with the name and  
telephone number of the  
WELLS AUTHORIZED  
SERVICE AGENCY  
nearest you.  
phone: (775) 689-5700  
fax: (888) 492-2783



Wells Manufacturing proudly supports CFESA  
Commercial Food Equipment Service Association



PREPARED FOR

Quizno's  SUBS



BY



**WELLS**

WELLS MANUFACTURING COMPANY - Division of CARRIER COMMERCIAL REFRIGERATION  
2 ERIK CIRCLE, P. O. Box 280  
Verdi, NV 89439  
telephone: 775-689-5700  
fax: 888-492-2783  
[www.wellsbloomfield.com](http://www.wellsbloomfield.com)